

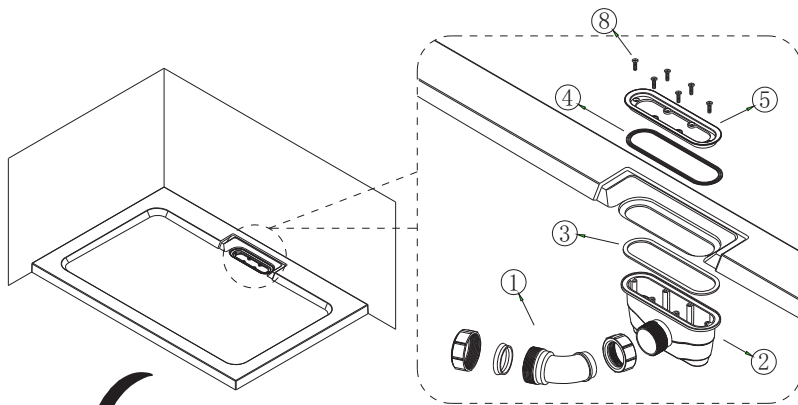
INSTALLATION

Q10-C/Q10-W

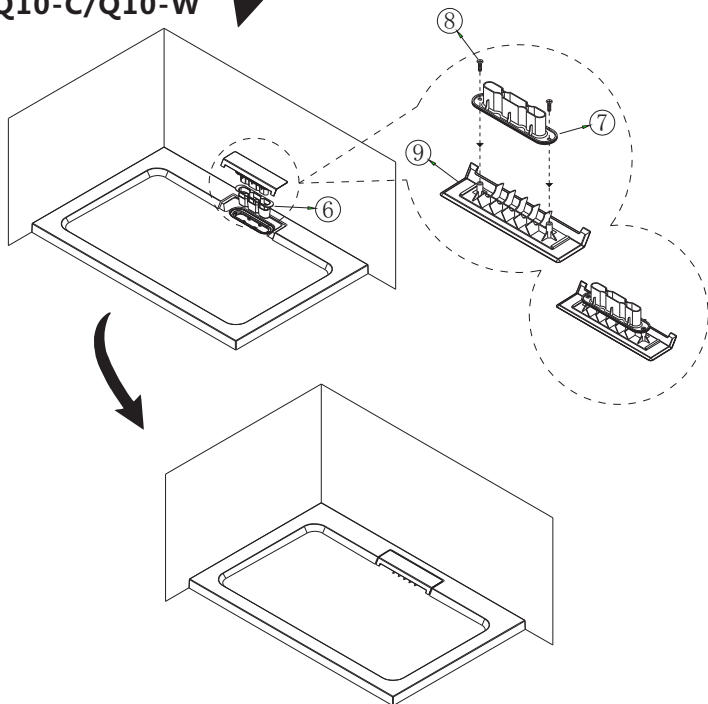
| | |
|---|-------|
| ① | 1 set |
| ② | 1 pcs |
| ③ | 2 pcs |
| ④ | 1 pcs |
| ⑤ | 1 pcs |
| ⑥ | 1 pcs |
| ⑦ | 1 pcs |
| ⑧ | 8 pcs |
| ⑨ | 1 set |

Q10-B

| | |
|---|-------|
| ① | 1 set |
| ② | 1 pcs |
| ③ | 2 pcs |
| ④ | 1 pcs |
| ⑤ | 1 pcs |
| ⑥ | 1 pcs |
| ⑦ | 1 pcs |
| ⑧ | 6 pcs |



Q10-C/Q10-W



Q10-B

